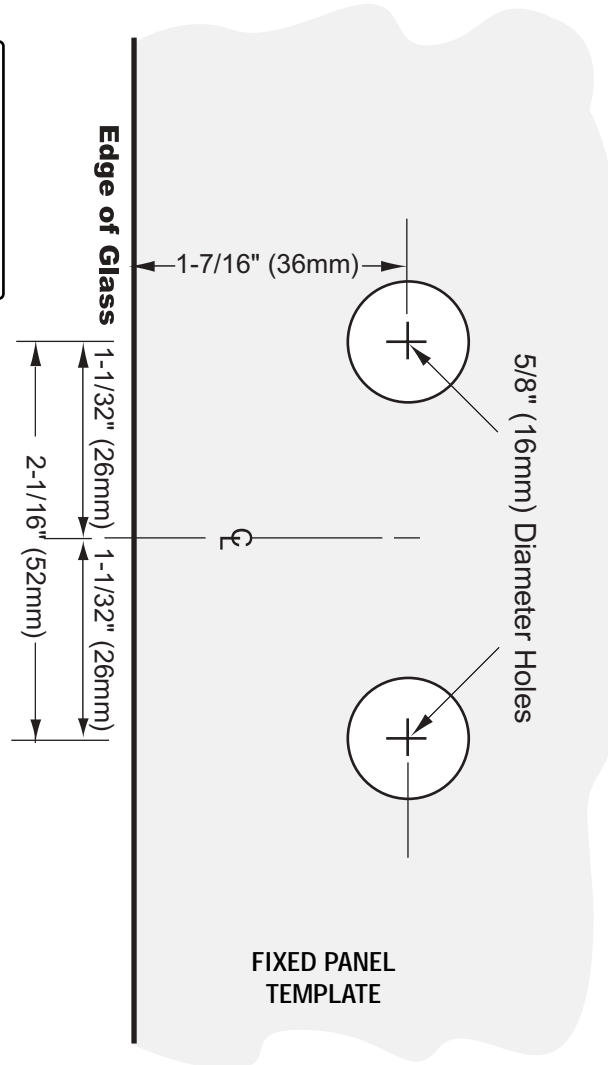
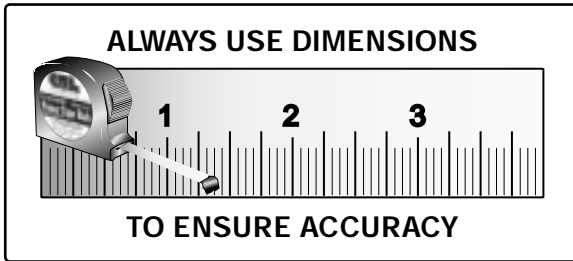


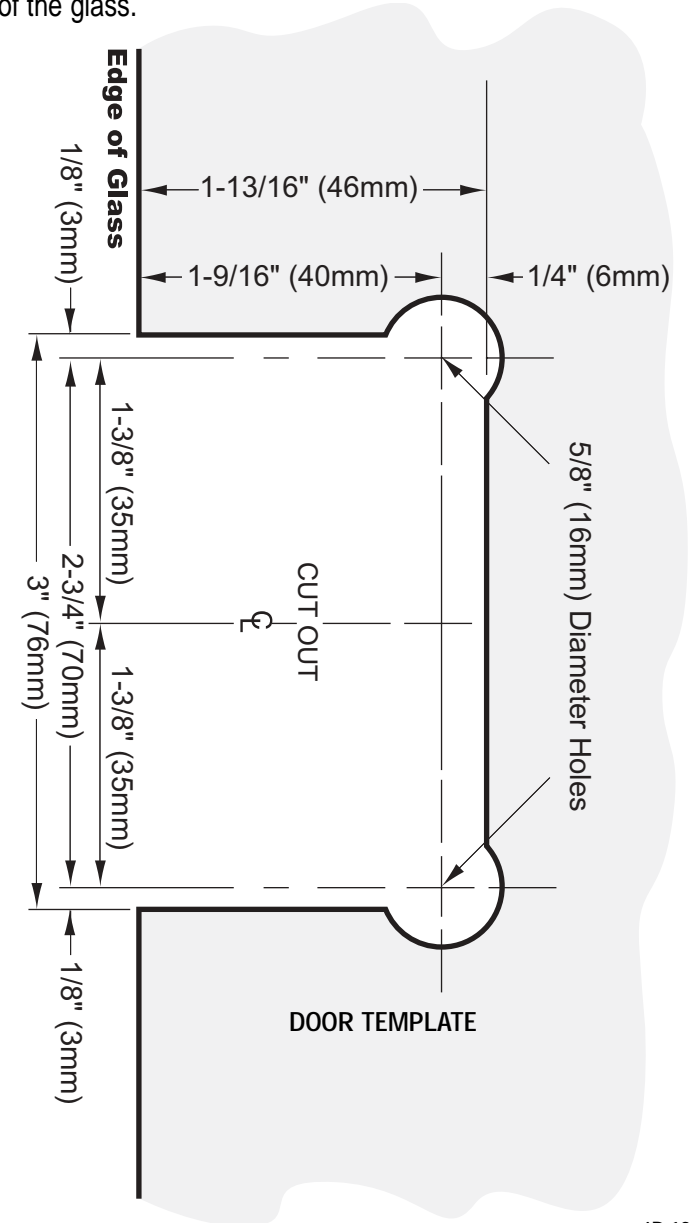


**C.R. LAURENCE CO., INC.**  
PROFESSIONAL QUALITY



**IMPORTANT:**  
Project measurements from  
the edge of the glass.

**"Mouse-Ear"  
Cut-out Option**



# COLOGNE

90° Glass-to-Glass Hinge

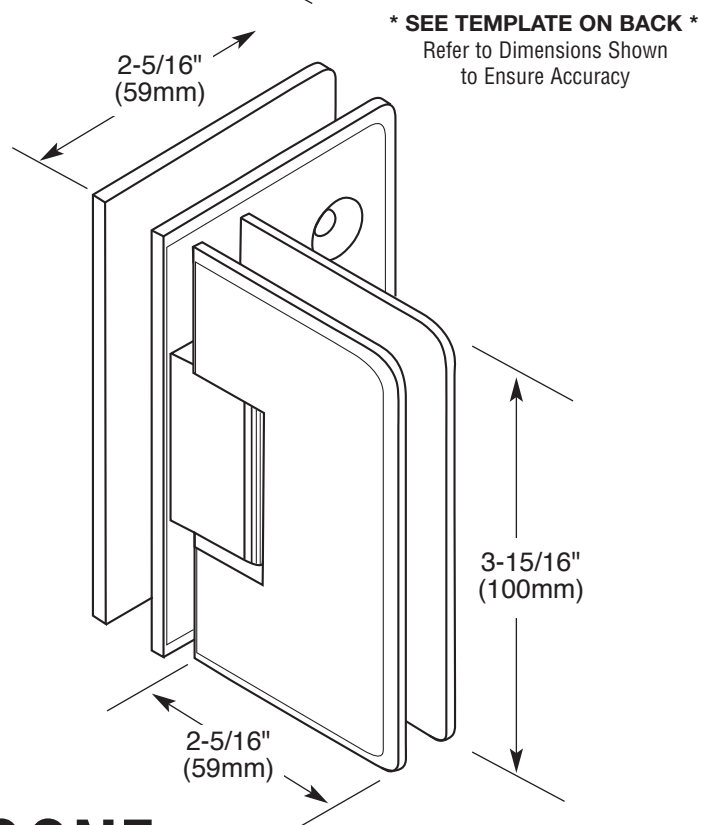
CAT. No. COL092

"Mouse-Ear" Cut-Out Option

C.R. Laurence Co., Inc. For technical assistance in the United States call toll free (800) 421-6144; from Canada call toll free (877) 421-6144;  
www.crlaurence.com Outside the U.S. and Canada call (323) 588-1281. Ask for Tech Sales at Extension 777. Toll free fax (800) 587-7501.



**C.R. LAURENCE CO., INC.**  
**PROFESSIONAL QUALITY**



# COLOGNE

## 90° Glass-to-Glass Hinge

### CAT. No. COL092

* Maximum Door Capacities	3/8" (10mm) Glass		1/2" (12mm) Glass	
	Weight	Width	Weight	Width
Using 2 Hinges	110 lbs.(50 kg)	36"(914mm)	110 lbs.(50 kg)	36"(914mm)
Using 3 Hinges	140 lbs.(64 kg)	36"(914mm)	140 lbs.(64 kg)	36"(914mm)

**\*NOTE:** Do not exceed either maximum weight or width when choosing proper quantity of hinges.

## Important Information:

- 1) This Hinge contains a dual degree pivot pin. The pivot pin is set for normal door closing position. You have the option of altering the closing position of the door 5 degrees inward by utilizing the opposite side of the pivot pin, which has been pre-machined. Special order custom pivot pins are available (Cat.No. V1EP1N) that can be machined at any angle up to 45 degrees.
- 2) The Cologne Hinge is designed to accommodate two types of cut-outs in the glass. If the two steel pins in the body of the hinge are left in place, the "mouse ear" cut-out option should be used. This application is recommended to prevent slippage. If the two steel pins are removed, the rectangular cut-out option can be utilized.
- 3) The door and fixed panel require different fabrication.

## Specifications:

**Glass Sizes:** 3/8" (10mm) to 1/2" (12mm) thick tempered safety glass  
**Construction:** Solid brass  
**Closing Type:** Self-centering when within 15° of closed position  
**Cut-out Required**  
**Includes:** Gaskets, screws and template

## Use of Gaskets:

**For 3/8" (10mm) Glass:** Use one thick gasket on each side  
**For 1/2" (12mm) Glass:** Use one thin gasket on each side

## Recommendations:

For public safety, we recommend the use of only tempered safety glass. Do not use power tools when installing these hinges.

## Maintenance Guidelines:

- Our hinges are greased at the factory for quiet and trouble-free operation. If there is any squeaking that occurs after installation, put a drop of "3 in 1 Oil" (also known as "household oil") on the white nylon washer that the hinge body pivots on. This washer is the component that acts as a buffer, so the body of the hinge doesn't pivot directly on the brass center block. This solution doesn't require the disassembly of the hinge.  
**Note: Do not use spray lubricant on these hinges.** If the hinge has been disassembled, upon re-assembly, use white lithium grease to lubricate the interior mechanism.
- Never use an abrasive cleaner on the hardware. Many of the components are coated with a clear lacquer that will be irreparably damaged if subjected to harsh, abrasive chemicals. Advise your customer that drying the hardware with a clean, soft towel on a daily basis is the best way to maintain the hardware. If mineral deposits build-up, mix a couple of drops of a mild liquid soap (such as Ivory or a similar product) into a cup of warm water. Using a soft, non-abrasive cloth, clean the hardware. Rinse thoroughly with clean, warm water and dry.